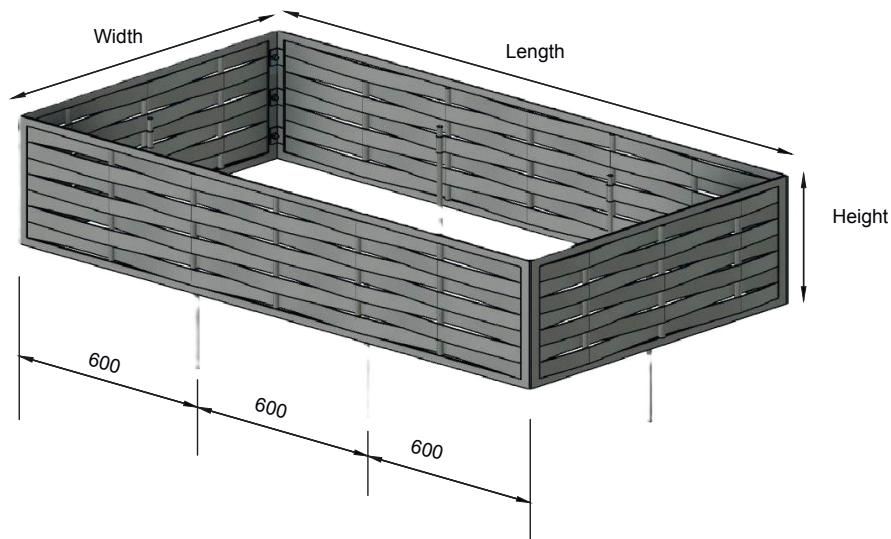


# INSTALLATION INSTRUCTIONS

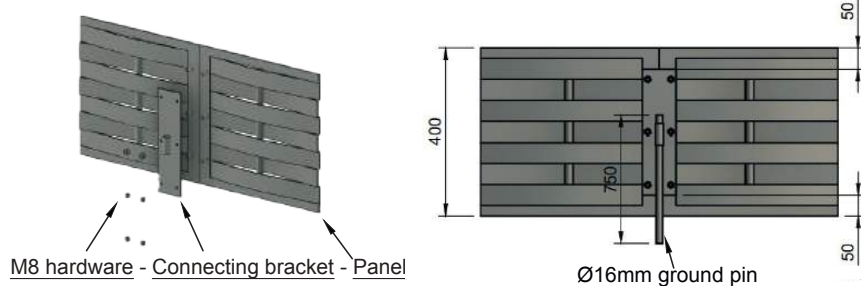
## Steel Weave Raised Bed

# STEEL

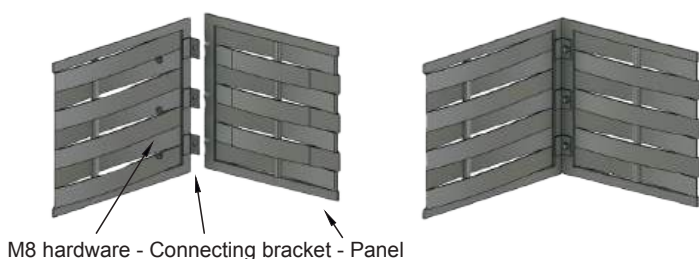
LANDSCAPING CO.



**Straight Connection**  
(Only applicable for 2.4m lengths and above)



**Corner Connection**

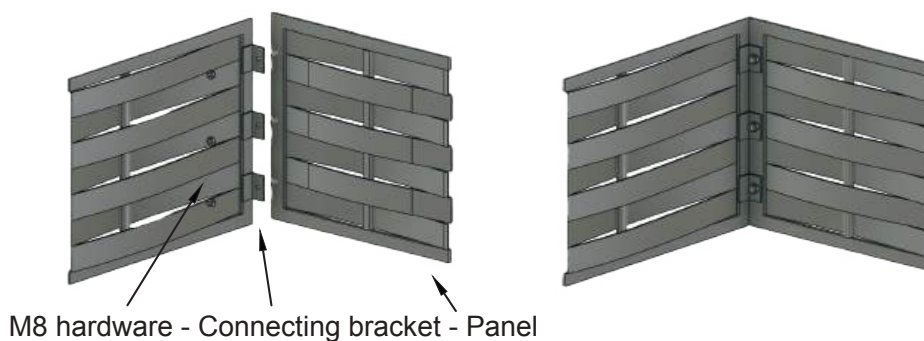


### INFORMATION KEY:

- Example raised bed only.
- Supplied as bolt-together flat pack assembly.
- Joining system illustrated above, M8 hardware included.
- For 1.2m wide panels upwards; Ø16mm solid ground pins included at 600mm intervals.
- 2.4m beds upwards; split with straight connectors & M8 hardware included.
- Frame constructed from 25x8mm horizontal frame & 40x8mm vertical frame.
- Standard heights; 200mm / 300mm / 400mm / 600mm. (Bespoke sizes available).
- Finish options; (Bare metal, left to weather / Painted / Galvanised / T-wash).

**GROUND PREPARATION** - Ensure that your ground is level and any large rocks/pebbles are removed.

1. Line up 2 panels to create your desired corner.

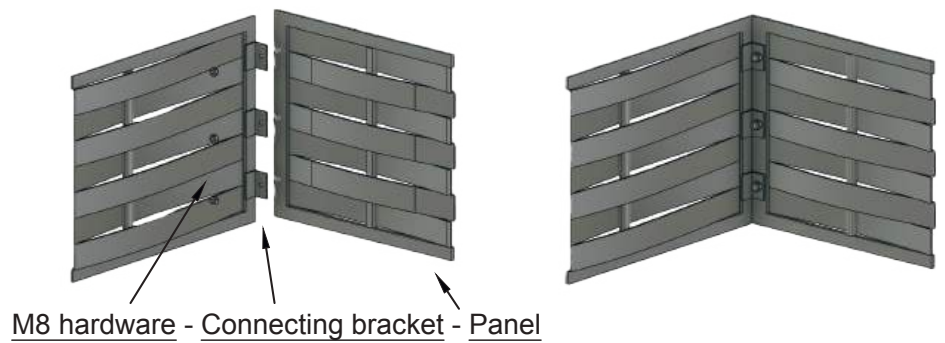


Continued overleaf

# Steel Weave Raised Bed

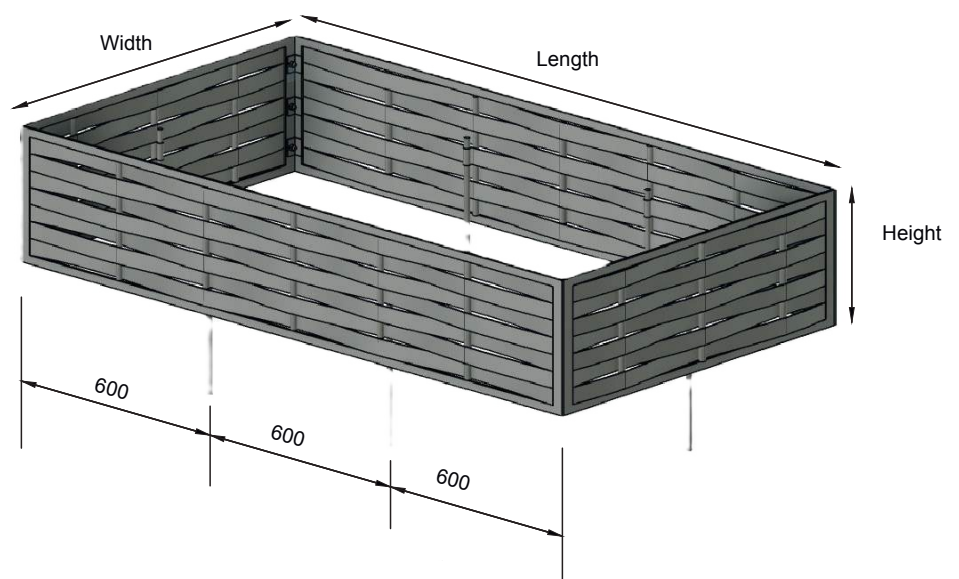
2. Tighten loosely with the supplied nuts onto one panel.

3. Repeat process until all corners are aligned, once you are happy with the placement of your raised bed panels, tighten the nuts. Please avoid using an impact driver, please use a combi-drill, ratchet spanner or similar.



4. Use a lump hammer to knock the ground pins through the tube and into the ground, securing your raised bed in place.

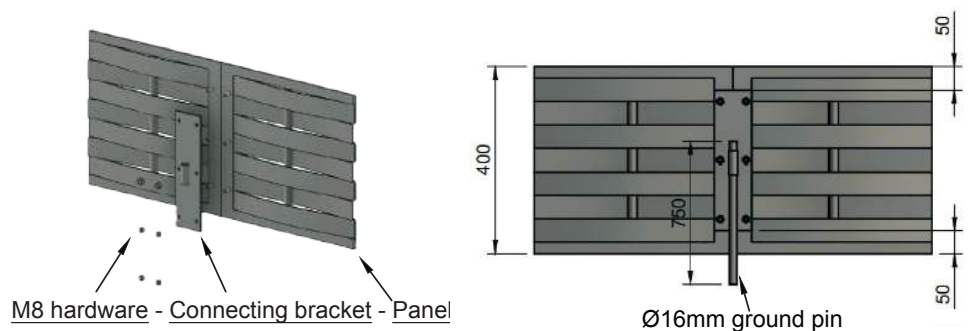
5. Once completed your raised bed will be securely locked in place by the ground pins.



For our 2.4 metre long raised beds you will be supplied with straight connection plates.

Straight Connection only applicable for 2.4m lengths and above.

6. Loosely secure the straight join plate onto one of the panels, place the other panel onto the straight plate, aligning the welded-on studs through the holes, tighten nuts securely on both panels.



## Note for Steel Weave Raised Beds Only

For our steel weave raised beds we recommend inserting a waterproof membrane (you can purchase from most building suppliers or garden centres) around the sides, before filling with mounds of topsoil to hold it in place. For the rustic look, add hessian!

Membrane will prevent any unwanted topsoil spilling out the small pockets where the weave intertwines, alternatively you can plant herbs or flowers in them which make your raised bed even more unique adding colour to your weave. Once your bed is full of topsoil, you can start planting!