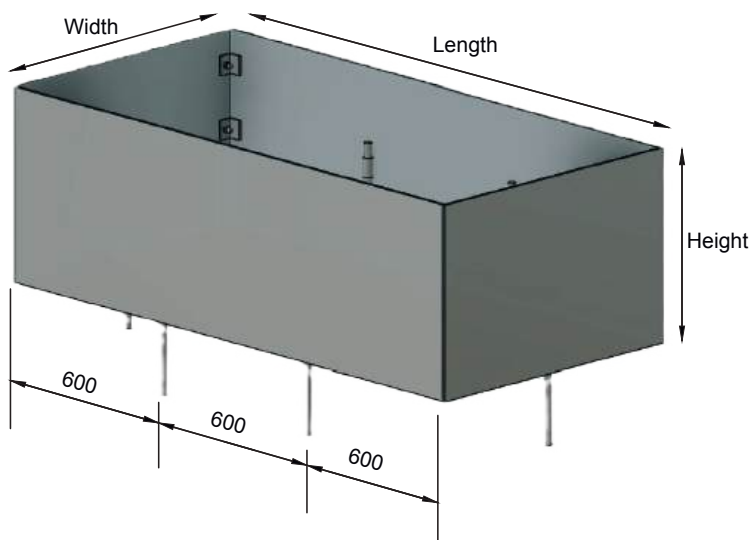


INSTALLATION INSTRUCTIONS

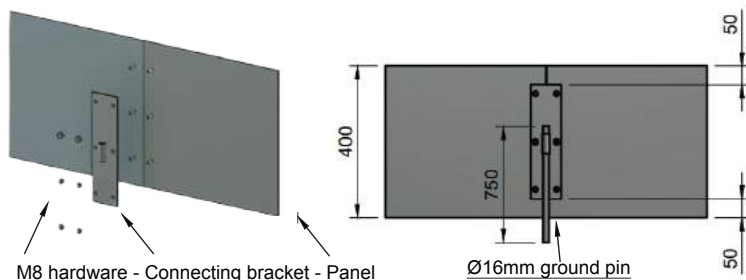
Solid Raised Bed 400mm

STEEL

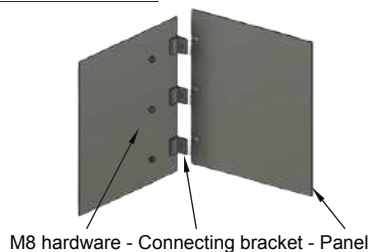
LANDSCAPING CO.



Straight Connection
(Only applicable for 2.4m lengths and above)



Corner Connection



INFORMATION KEY:

- Example raised bed only.
- Supplied as bolt-together flat pack assembly.
- Joining system illustrated above, M8 hardware included.
- For 1.2m wide panels upwards; Ø16mm solid ground pins included at 600mm intervals.
- 2.4m beds upwards; split with straight connectors & M8 hardware included.
- Supplied in 6mm thick steel. (Bespoke sizes available).
- Standard heights; 200mm / 300mm / 400mm / 600mm. (Bespoke sizes available).
- Material options; (Mild steel / Corten steel / Stainless steel).
- Finish options; (Bare metal, left to weather / Painted / Galvanised / T-wash).

GROUND PREPARATION - Ensure that your ground is level and any large rocks/pebbles are removed.

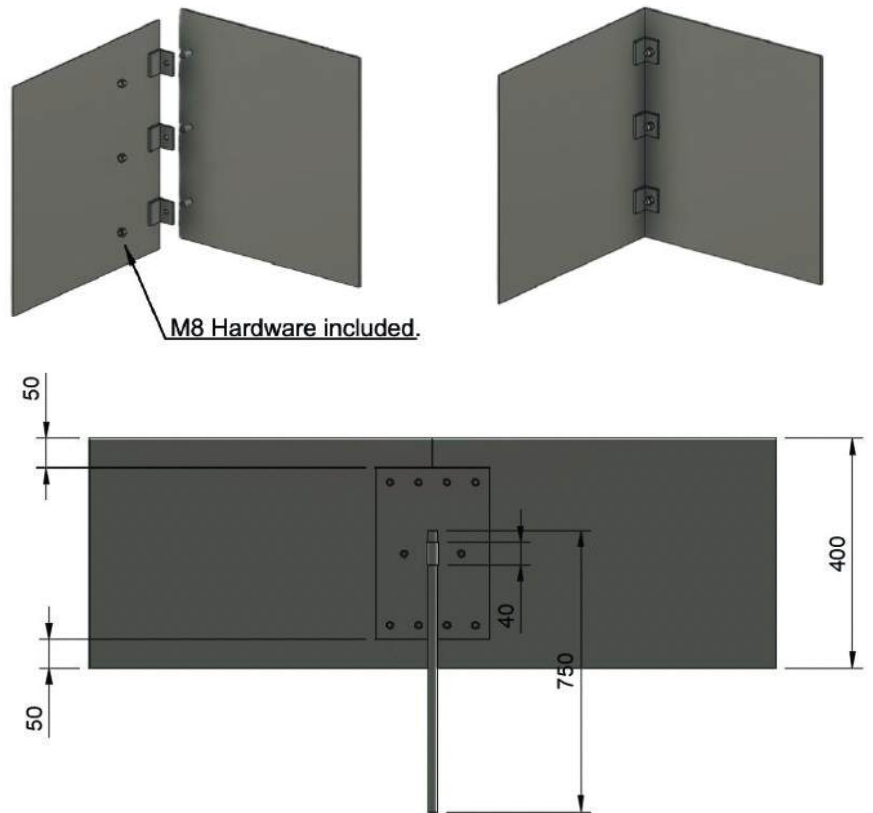
1. Line up 2 panels to create your desired corner.



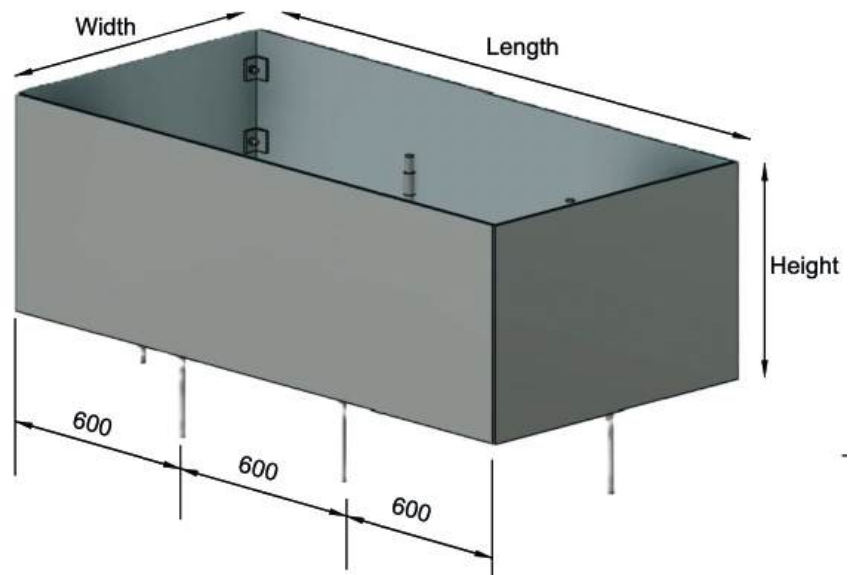
Continued overleaf

Solid Raised Bed 400mm

2. Tighten loosely with the supplied nuts onto one panel.
3. Repeat process until all corners are aligned, once you are happy with the placement of your raised bed panels, tighten the nuts. Please avoid using an impact driver, please use a combi-drill, ratchet spanner or similar.
4. Use a lump hammer to knock the 750mm ground pin through the tube and into the ground, securing your raised bed in place.
5. Once completed your raised bed will be securely locked in place by the ground pins.

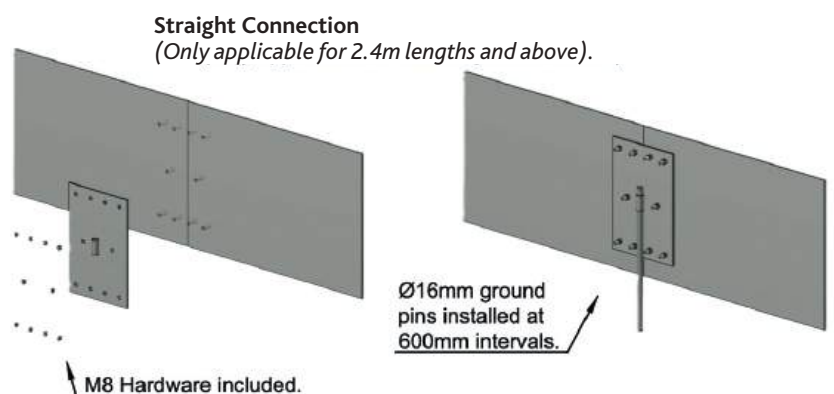


M8 Hardware included.



For our 2.4 metre long raised beds you will be supplied with straight connection plates.

6. Loosely secure the straight join plate onto one of the panels, place the other panel onto the straight plate, aligning the welded-on studs through the holes, tighten nuts securely on both panels.



Straight Connection
(Only applicable for 2.4m lengths and above).

M8 Hardware included.

Ø16mm ground pins installed at 600mm intervals.